

海工防爆灯具篇

Maritime explosion-proof light fittings

海工防爆荧光灯系列

- ◆ 本章节主要介绍了适用于海洋各类作业平台、各类化学品、天然气运输船、危险品码头等危险区域照明之用的防爆荧光灯系列产品，该系列产品可在潮湿、振动、腐蚀等恶劣环境中可靠工作。



Maritime explosion-proof fluorescent light fittings

This chapter introduces fluorescent lights applicable to platforms, various types of chemicals, natural gas carriers, terminals, dangerous goods docks, etc., the products can work reliably in harsh environment where is easily affected by moisture, vibration, corrosion, etc.



BAY51-Q 2/023

系列防爆防腐全塑荧光灯(IIC)
Series Explosion-proof Corrosion-proof
Light Fittings For Fluorescent Lamps



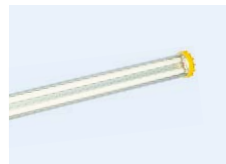
BAY81-Q 2/027

系列防爆防腐全塑荧光灯(IIC)
Series Explosion-proof Corrosion-proof
Light Fittings For Fluorescent Lamps



BAY51-G 2/031

系列防爆防腐荧光灯(不锈钢)(IIC)
Series Explosion-proof Corrosion-proof
Fluorescent Lamps (Stainless Steel)



BAY86 2/035

系列隔爆型防爆荧光灯(dIIC)
Series Flameproof Explosion-proof
Fluorescent Lamps



BAY51 2/039

系列隔爆型防爆荧光灯(dIIC)
Series Flameproof Explosion-proof
Fluorescent Lamps



BnY81 2/043

系列防爆防腐荧光灯(nA)
Series Explosion-proof Corrosion-proof
Fluorescent Lamps



BAY81-QT 2/047

系列井架专用防爆荧光灯(IIC)
Series Explosion-proof Corrosion-proof
Fluorescent Lamps For Derrick



BAY-H 2/051

系列防爆环形荧光灯(dIIC)
Series Explosion-proof Annular
Fluorescent Lamps

BAY51-Q 系列防爆防腐全塑荧光灯(T8节能型)(IIC)

BAY51-Q Series Explosion-proof Corrosion-proof Light Fittings For Fluorescent Lamps (T8 Energy-saving Type)

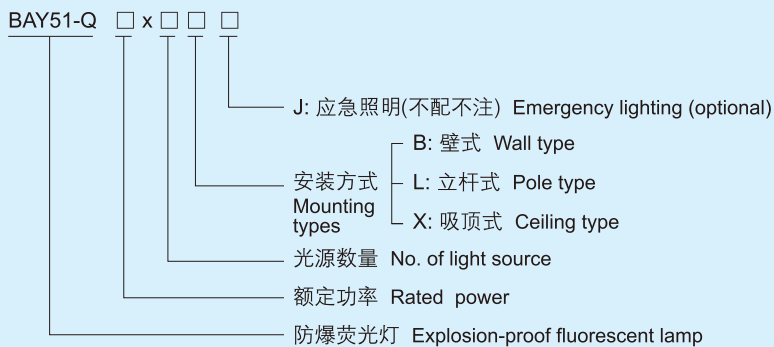


2

应用场所 Application

- ◆ 广泛应用于海洋工程各类作业平台、各类化学品、天然气运输船、危险品码头等危险区域作工作及场景照明之用；
- ◆ 可在潮湿、振动、腐蚀等恶劣环境中可靠工作；
- ◆ 适用于爆炸性危险环境1区、2区、21区、22区等场所。
- ◆ Widely used for lighting on platforms, various types of chemical and natural gas carriers, terminals, dangerous goods docks, etc.;
- ◆ Can reliably work in severe environment where is easily affected by moisture, vibration, or corrosion;
- ◆ Explosive hazardous atmosphere zone 1, zone 2, zone 21, zone 22.

型号含义 Catalogue Number Logic

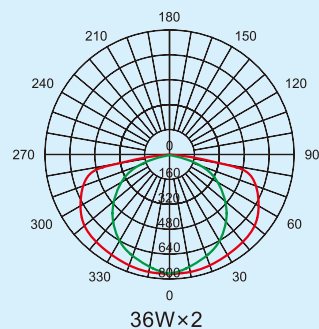
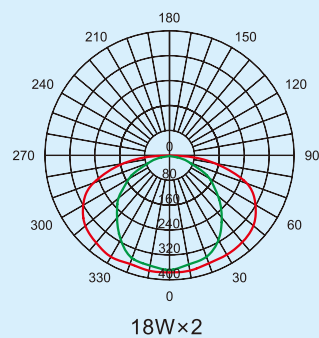


Zones 1&2 ; 21&22

配光性能 Photometric data

光强单位: cd

- c 0 / 180
- c 90 / 270



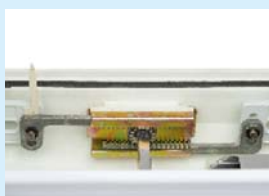
产品特性 Features



- ◆ 外壳为GRP材质，防强腐蚀。灯罩为PC材质，条棱设计，可有效防止眩光
- ◆ GRP enclosure, corrosion-proof, PC lampshade, strip-shaped, anti-glare



- ◆ 特制的金属外壳防爆电子镇流器， $\cos \phi \geq 0.95$ ，具有短路、开路、过载、灯管老化、灯管破损及不对称功率等保护功能
- ◆ Specially made electronic ballast of metal enclosure. $\cos \phi \geq 0.95$, with functions to prevent short circuit, open circuit and overload, aging, lamp tube damaging and asymmetric power



- ◆ 特殊的锁紧机构，可靠锁紧密封
- ◆ Special locking mechanism, with reliable locking force



- ◆ 内置防爆联锁装置，开盖自动断电
- ◆ Built-in explosion-proof interlock device, automatically power-off after cover open



- ◆ 灯具可带应急，具有过放电和过充电保护功能，每周执行5分钟功能自测，每三个月执行35分钟负载循环自测
- ◆ The lamp can be with emergency function, with over-discharge and over-charge protection function, 5min self-test every week, 35min load circulation test every 3 months



- ◆ 专利设计的防震灯座
- ◆ Specially designed anti-shock lamp holder

选配表 Selection table

型号 Model	额定功率(W) Rated power	重量(kg) Weight	型号 Model	额定功率(W) Rated power	重量(kg) Weight
BAY51-Q18 x 2B	18 x 2	7.90	BAY51-Q18 x 2BJ	18 x 2	9.75
BAY51-Q18 x 2L	18 x 2	7.00	BAY51-Q18 x 2LJ	18 x 2	8.80
BAY51-Q18 x 2X	18 x 2	6.90	BAY51-Q18 x 2XJ	18 x 2	8.70
BAY51-Q36 x 2B	36 x 2	12.50	BAY51-Q36 x 2BJ	36 x 2	14.10
BAY51-Q36 x 2L	36 x 2	11.60	BAY51-Q36 x 2LJ	36 x 2	13.05
BAY51-Q36 x 2X	36 x 2	11.40	BAY51-Q36 x 2XJ	36 x 2	13.10

- ◆ 上述产品包含“安装附件和备件表”中对应的安装附件。
- ◆ 灯具出厂时已配DQM-I M25×1.5防爆电缆夹紧密封接头(工程塑料)，如有特殊要求，请参照P3/169~172页选型。
- ◆ The above products include the mounting accessories specified in the "mounting accessories and spare parts table"
- ◆ The lamp is with DQM-I M25×1.5 explosion-proof cable gland (Engineering-plastics), and if there're any special requirements, please select according to page P3/169~172.

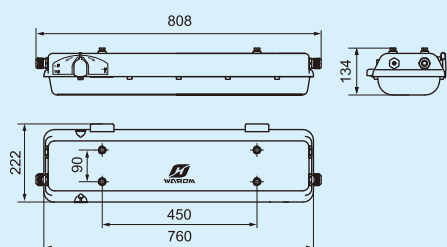
BAY51-Q系列防爆防腐全塑荧光灯(T8节能型)(IIC)

BAY51-Q Series Explosion-proof Corrosion-proof Light Fittings For Fluorescent Lamps (T8 Energy-saving Type)

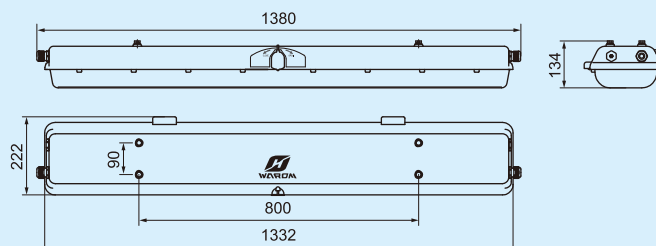
技术参数 Technical parameters

◆ 防爆标志 Ex-Mark	<p>⊕ II 2 G Ex deq IIC T4 Gb</p> <p>⊕ II 2 D Ex t IIIC T80°C Db IP66</p>
◆ 执行标准 Compliance	IEC60079 EN60079 CCS入级规范 (CCS standard)
◆ 产品证书 Certificate	LCIE 12 ATEX 3045X; IECEX CQM 07.0007; BR229577; S-XPL/04547; GOST.R
◆ 额定电压 Rated voltage	96V~254V AC 50Hz/60Hz
◆ 温度范围 Temperature range	-40°C~+55°C
◆ 额定功率 Rated power	T8
光源类型 Light source	18W×2 36W×2
灯具功率 Power of lamp	
◆ 防护等级 Degree of protection	IP66
◆ 防腐等级 Corrosion-proof	WF2
◆ 进线规格 Cable entry	4 × M25, 每端2个 (2 for each end)
◆ 接线端子 Terminal	3 × 1.5~4mm ²
◆ 带应急功能参数 Data for lamp with emergency function	
电池容量 Battery capacity	Ni-MH 7.2V/3Ah
应急照明时间 Emergency lighting time	90min(特殊要求请注明) 90min(any special requests please specify)
应急形式 Emergency mode	单管应急 single tube

外形尺寸 Outline dimension



BAY51-Q 18X2

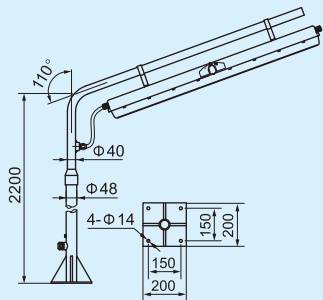


BAY51-Q 36X2

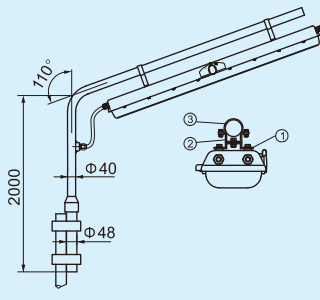
安装方案举例 (尺寸单位为mm) Mounting type (dimensions in mm)

用户可参考下列安装方式并根据现场情况进行安装 Installation reference

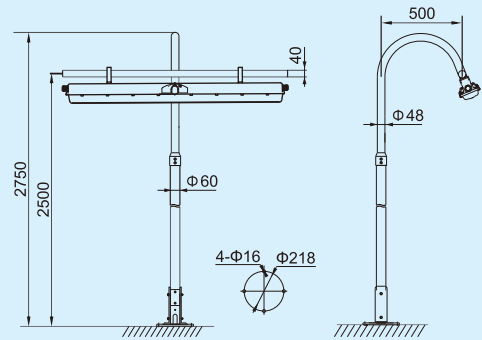
L: 立杆式 (立杆由用户配置) pole type (the pole is provided by user)



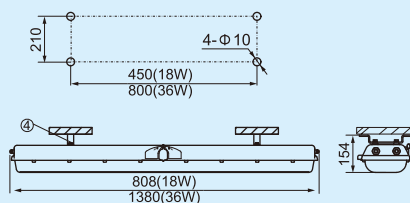
平台立杆安装
platform pole type



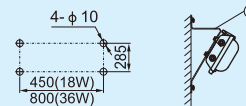
护栏立杆安装
fence pole type



折叠杆安装
folding pole type



X: 吸顶式 ceiling type



B: 壁式 wall type

安装附件和备件表 Mounting accessories and spare parts table

按照用户订货选择的安装方式, 供货将提供以下安装配件 Supplied according to the mounting type

安装方式 Mounting type	附件 Accessories			重量(kg) Weight
	名称 Name	数量 Qty	说明 Illustration	
L: 立杆式 pole type	①. 支架 Mounting bracket	2		0.07
	②. 支架 Mounting bracket	2		0.04
	③. G1 1/4" 管夹 Pipe clamp	2		0.04
X: 吸顶式 ceiling type	④. 支架 Mounting bracket	2		0.20
B: 壁式 wall type	⑤. 壁式支架 Wall bracket	2		0.25

注: 表中无配置的附件, 需用户自行配置。

Note: Accessories not in the table shall be supplied by user.

BAY81-Q 系列防爆防腐全塑荧光灯(T5节能型)(IIC)

BAY81-Q Series Explosion-proof Corrosion-proof Light Fittings For Fluorescent Lamps (T5 Energy-saving Type)

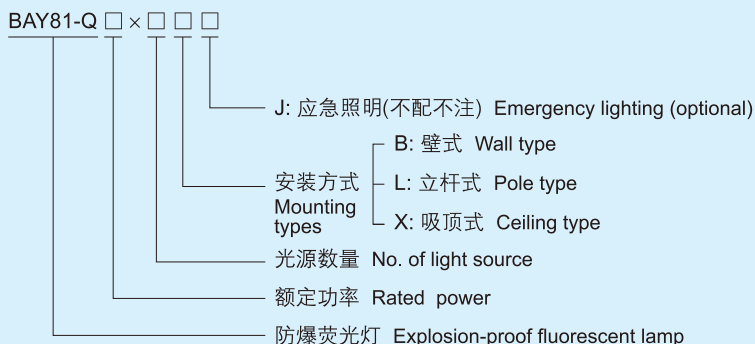


2

应用场所 Application

- ◆ 广泛应用于海洋工程各类作业平台、各类化学品、天然气运输船、危险品码头等危险区域作工作及场景照明之用；
- ◆ 可在潮湿、振动、腐蚀等恶劣环境中可靠工作；
- ◆ 适用于爆炸性危险环境1区、2区、20区、21区、22区等场所。
- ◆ Widely used for lighting on platforms, various types of chemical and natural gas carriers, terminals, dangerous goods docks, etc.;
- ◆ Can reliably work in severe environment where is easily affected by moisture, vibration, or corrosion;
- ◆ Explosive hazardous atmosphere zone 1, zone 2, zone 20, zone 21, zone 22.

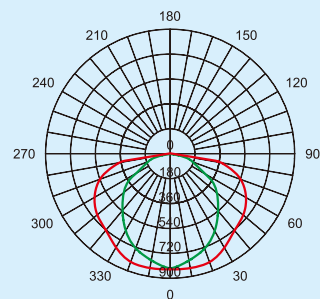
型号含义 Catalogue Number Logic



配光性能 Photometric data

光强单位: cd

- c 0 / 180
- c 90 / 270



Zones 1&2 ; 20&21&22

产品特性 Features



- ◆ 壳体采用环保聚碳合金材料注塑成型，透明罩材质为聚碳酸酯，采用多点扣合方式
- ◆ Polycarbonate alloy enclosure is injection molded, polycarbonate transparent cover of high transmittance, impact resistance, with strong anti-corrosion capacity



- ◆ 特制的防爆电子镇流器， $\cos \phi \geq 0.95$ ，具有短路、开路、过载、灯管老化、灯管破损及不对称功率等保护功能
- ◆ Specially made EX electronic ballast. $\cos \phi \geq 0.95$, with functions to prevent short circuit, open circuit and overload, aging, lamp tube damaging and asymmetric power



- ◆ 壳体带有设计精巧的呼吸装置，平衡内外压差，彻底消除凝露现象
- ◆ The enclosure is designed with compact breathing apparatus to balance internal and external pressure, and eliminate condensation



- ◆ 灯具内置防爆联锁开关，配置开盖断电联锁装置，确保安全
- ◆ Built-in explosion-proof interlock switch, power-off after cover open, which ensures the safety in use



- ◆ 配置新一代的T5超细高效节能荧光灯管，寿命长达20000小时以上
- ◆ Designed with new T5 super fine efficient and energy-saving fluorescent lamp tube, with service life more than 20000 hours



- ◆ 灯具可带应急，具有过放电和过充电保护功能，每周执行5分钟功能自测，每三个月执行35分钟负载循环自测
- ◆ The lamp can be with emergency function, with over-discharge and over-charge protection function, 5min self-test every week, 35min load circulation test every 3 months

选配表 Selection table

型号 Model	额定功率(W) Rated power	重量(kg) Weight	型号 Model	额定功率(W) Rated power	重量(kg) Weight
BAY81-Q28×2B	28×2	6.1	BAY81-Q28×2BJ	28×2	7.2
BAY81-Q28×2L	28×2	5.8	BAY81-Q28×2LJ	28×2	6.9
BAY81-Q28×2X	28×2	6.0	BAY81-Q28×2XJ	28×2	7.1
BAY81-Q28×3B	28×3	7.2	BAY81-Q28×3BJ	28×3	8.3
BAY81-Q28×3L	28×3	6.9	BAY81-Q28×3LJ	28×3	8.0
BAY81-Q28×3X	28×3	7.1	BAY81-Q28×3XJ	28×3	8.2

- ◆ 上述产品包含“安装附件和备件表”中对应的安装附件。
- ◆ 灯具出厂时已配DQM-I M25×1.5防爆电缆夹紧密接头(工程塑料)，如有特殊要求，请参照P3/169~172页选型。
- ◆ The above products include the mounting accessories specified in the "mounting accessories and spare parts table"
- ◆ The lamp is with DQM-I M25×1.5 explosion-proof cable gland (Engineering-plastics), and if there're any special requirements, please select according to page P3/169~172.

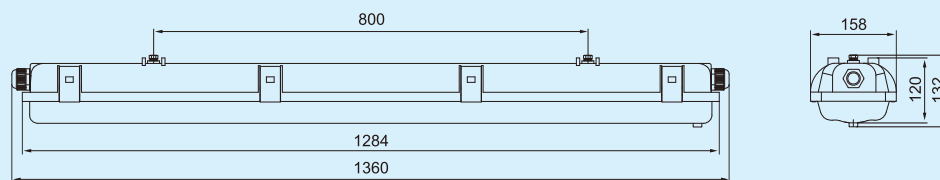
BAY81-Q 系列防爆防腐全塑荧光灯(T5节能型)(IIC)

BAY81-Q Series Explosion-proof Corrosion-proof Light Fittings For Fluorescent Lamps (T5 Energy-saving Type)

技术参数 Technical parameters

◆ 防爆标志 Ex-Mark	Exdeq IIC T4 Gb / DIP A20 TA, T6
◆ 执行标准 Compliance	IEC60079 EN60079 GB3836 GB12476 CCS入级规范 (CCS standard)
◆ 额定电压 Rated voltage	220V / 230V AC 50Hz/60Hz
◆ 温度范围 Temperature range	-25℃~+55℃
◆ 额定功率 Rated power 光源类型 Light source 灯具功率 Power of lamp	T5 28W×2 28W×3
◆ 防护等级 Degree of protection	IP66 *IP67
◆ 防腐等级 Corrosion-proof	WF2
◆ 进线规格 Cable entry	2 × M25
◆ 接线端子 Terminal	3 × 1.5~4mm ²
◆ 带应急功能参数 Data for lamp with emergency function 电池容量 Battery capacity 应急照明时间 Emergency lighting time 应急形式 Emergency mode	Ni-MH 7.2V/3Ah 90min(特殊要求请注明) 90min(any special requests please specify) 单管应急 single tube

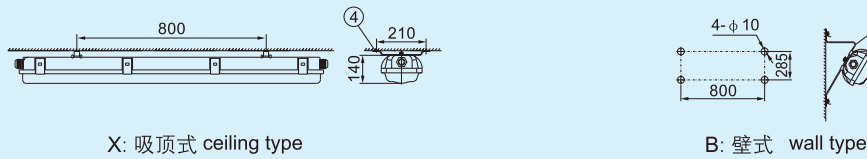
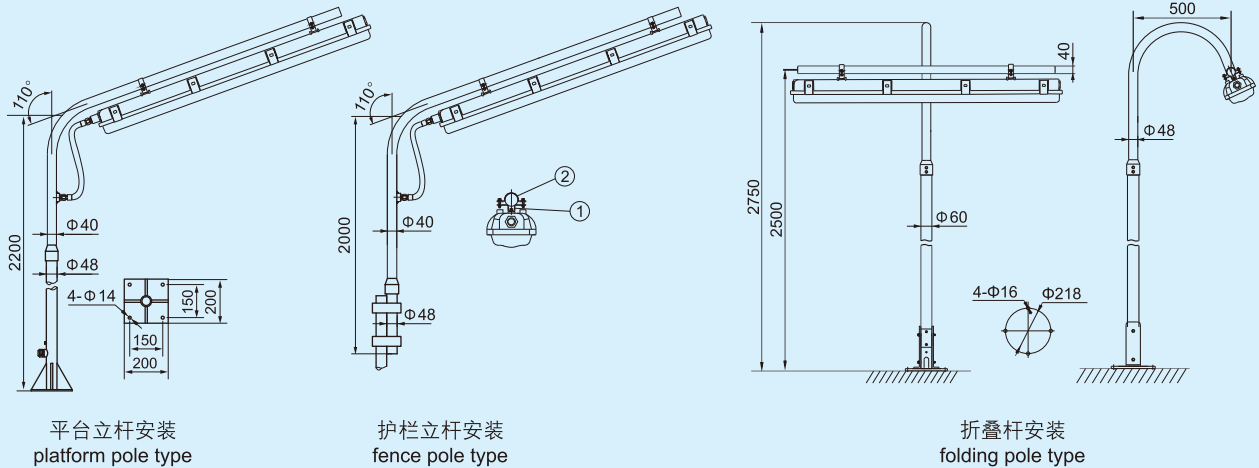
外形尺寸 Outline dimension



安装方案举例 (尺寸单位为mm) Mounting type (dimensions in mm)

用户可参考下列安装方式并根据现场情况进行安装 Installation reference

L: 立杆式 (立杆由用户配置) pole type (the pole is provided by user)



安装附件和备件表 Mounting accessories and spare parts table

按照用户订货选择的安装方式, 供货将提供以下安装配件 Supplied according to the mounting type

安装方式 Mounting type	附件 Accessories			重量(kg) Weight
	名称 Name	数量 Qty	说明 Illustration	
L: 立杆式 pole type	①. 支架 Mounting bracket	2		0.04
	②. G1 1/4" 管夹 Pipe clamp	2		0.04
X: 吸顶式 ceiling type	④. 安装架 Mounting frame	2		0.20
B: 壁式 wall type	③. 壁式支架 Wall bracket	2		0.25

注: 表中无配置的附件, 需用户自行配置。

Note: Accessories not in the table shall be supplied by user.

BAY51-G 系列防爆防腐荧光灯(不锈钢)(IIC)

BAY51-G Series Explosion-proof Corrosion-proof Fluorescent Lamps (Stainless Steel)



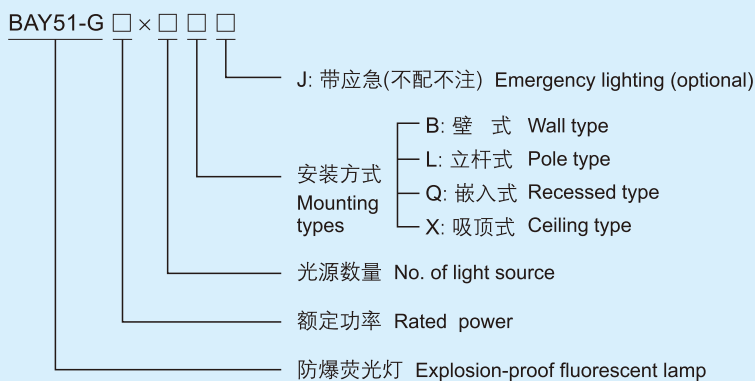
Q: 嵌入式 Recessed type

2

应用场所 Application

- ◆ 广泛应用于海洋工程各类作业平台、各类化学品、天然气运输船、危险品码头等危险区域作工作及场景照明之用；
- ◆ 可在潮湿、振动、腐蚀等恶劣环境中可靠工作；
- ◆ 适用于爆炸性危险环境1区、2区、20区、21区、22区等场所。
- ◆ Widely used for lighting on platforms, various types of chemical and natural gas carriers, terminals, dangerous goods docks, etc.;
- ◆ Can reliably work in severe environment where is easily affected by moisture, vibration, or corrosion;
- ◆ Explosive hazardous atmosphere zone 1, zone 2, zone 20, zone 21, zone 22.

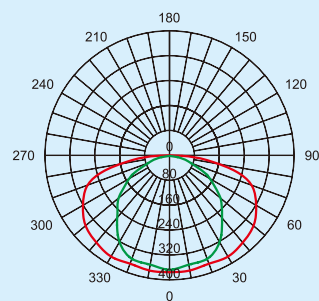
型号含义 Catalogue Number Logic



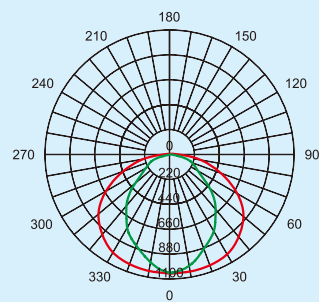
配光性能 Photometric data

光强单位: cd

- c 0 / 180
- c 90 / 270



18W×2



36W×2

Zones 1&2 ; 20&21&22

产品特性 Features



- ◆ 壳体采用不锈钢板拉伸成型，表面喷塑，透明罩材质为聚碳酸酯，透光率90%
- ◆ Stainless steel enclosure is stretching formed, powder coated, Transparent cover made of polycarbonate, with light transmittance up to 90%



- ◆ 荧光灯体和透明罩之间采用不锈钢锁扣，多点扣合
- ◆ Joint between the fluorescent body and the transparent cover is fastened by stainless steel lock catch, locked at several points



- ◆ 灯具可带应急，具有过放电和过充电保护功能，每周执行5分钟功能自测，每三个月执行35分钟负载循环自测
- ◆ The lamp can be with emergency function, with over-discharge and over-charge protection function, 5min self-test every week, 35min load circulation test every 3 months



- ◆ 特制的防爆电子镇流器， $\cos \phi \geq 0.95$ ，具有短路、开路、过载、灯管老化、灯管破损及不对称功率等保护功能
- ◆ Specially made EX electronic ballast. $\cos \phi \geq 0.95$, with functions to prevent short circuit, open circuit and overload, aging, lamp tube damaging and asymmetric power

选配表 Selection table

型号 Model	额定功率(W) Rated power	重量(kg) Weight	型号 Model	额定功率(W) Rated power	重量(kg) Weight
BAY51-G18×2B	18×2	7.3	BAY51-G18×2BJ	18×2	8.4
BAY51-G18×2L	18×2	7.1	BAY51-G18×2LJ	18×2	8.2
BAY51-G18×2Q	18×2	9.8	BAY51-G18×2QJ	18×2	10.9
BAY51-G18×2X	18×2	7.2	BAY51-G18×2XJ	18×2	8.3
BAY51-G36×2B	36×2	11.4	BAY51-G36×2BJ	36×2	12.5
BAY51-G36×2L	36×2	11.2	BAY51-G36×2LJ	36×2	12.3
BAY51-G36×2Q	36×2	14.5	BAY51-G36×2QJ	36×2	15.6
BAY51-G36×2X	36×2	11.3	BAY51-G36×2XJ	36×2	12.4

- ◆ 上述产品包含“安装附件和备件表”中对应的安装附件。
- ◆ 灯具出厂时已配DQM-I M25×1.5防爆电缆夹紧密接头(工程塑料)，如有特殊要求，请参照P3/169~172页选型。
- ◆ The above products include the mounting accessories specified in the "mounting accessories and spare parts table"
- ◆ The lamp is with DQM-I M25×1.5 explosion-proof cable gland (Engineering-plastics), and if there're any special requirements, please select according to page P3/169~172.

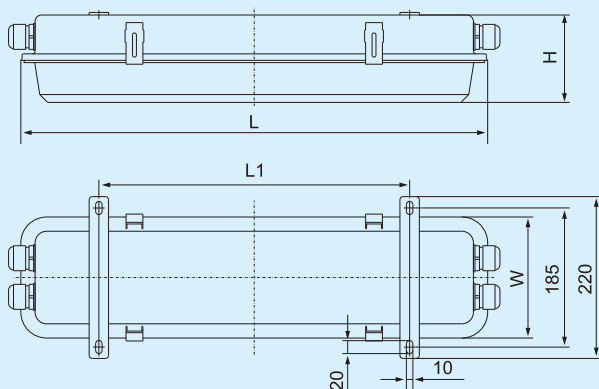
BAY51-G 系列防爆防腐荧光灯(不锈钢)(IIC)

BAY51-G Series Explosion-proof Corrosion-proof Fluorescent Lamps (Stainless Steel)

技术参数 Technical parameters

◆ 防爆标志 Ex-Mark	Exdeq II CT4 Gb / DIP A20 TA, T6
◆ 执行标准 Compliance	IEC60079 EN60079 GB3836 GB12476 CCS入级规范 (CCS standard)
◆ 额定电压 Rated voltage	220V / 230V AC 50Hz/60Hz
◆ 温度范围 Temperature range	-25°C~+55°C
◆ 额定功率 Rated power 光源类型 Light source 灯具功率 Power of lamp	T8 18W×2 36W×2
◆ 防护等级 Degree of protection	IP66 *IP67 IP65(嵌入式 recessed type)
◆ 防腐等级 Corrosion-proof	WF2
◆ 进线规格 Cable entry	4 × M25, 每端2个 (2 for each end)
◆ 接线端子 Terminal	3 × 1.5~4mm ²
◆ 带应急功能参数 Data for lamp with emergency function 电池容量 Battery capacity 应急照明时间 Emergency lighting time 应急形式 Emergency mode	Ni-MH 7.2V/3Ah 90min(特殊要求请注明) 90min(any special requests please specify) 单管应急 single tube

外形尺寸 Outline dimension



吸顶式外形尺寸
Outline dimension of ceiling type

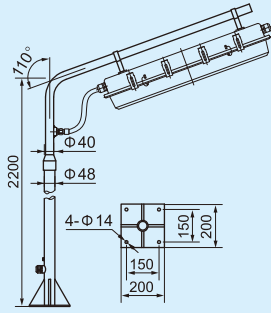
型号 Type	尺寸 Size			
	L	L1	W	H
BAY51-G 18X2	680	480	150	124
BAY51-G 18X2J	680	480	150	124
BAY51-G 36X2	1342	700	185	140
BAY51-G 36X2J	1342	700	185	140

注: 嵌入式外形图见安装方案举例
Note: the outline drawing of recessed type is shown in the installation example

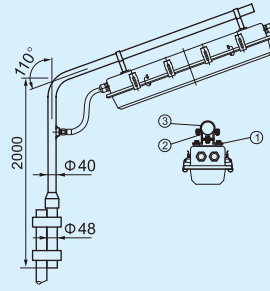
安装方案举例 (尺寸单位为mm) Mounting type (dimensions in mm)

用户可参考下列安装方式并根据现场情况进行安装 Installation reference

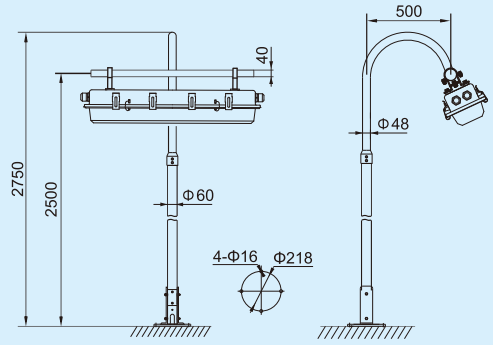
L: 立杆式 (立杆由用户配置) pole type (the pole is provided by user)



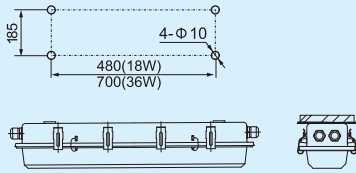
平台立杆安装
platform pole type



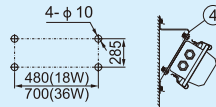
护栏立杆安装
fence pole type



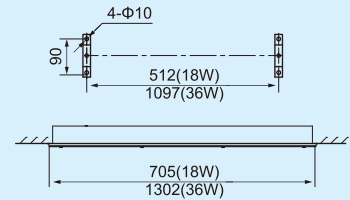
折叠杆安装
folding pole type



X: 吸顶式 ceiling type



B: 壁式 wall type



Q: 嵌入式 Recessed type

安装附件和备件表 Mounting accessories and spare parts table

按照用户订货选择的安装方式, 供货将提供以下安装配件 Supplied according to the mounting type

安装方式 Mounting type	附件 Accessories			重量(kg) Weight
	名称 Name	数量 Qty	说明 Illustration	
L: 立杆式 pole type	①. 支架 Mounting bracket	2		0.07
	②. 支架 Mounting bracket	2		0.04
	③. G1 1/4" 管夹 Pipe clamp	2		0.04
B: 壁式 wall type	④. 壁式支架 Wall bracket	2		0.62

注: 表中无配置的附件, 需用户自行配置。

Note: Accessories not in the table shall be supplied by user.

BAY86 系列隔爆型防爆荧光灯(dIIC)

BAY86 Series Flameproof Explosion-proof Fluorescent Lamps

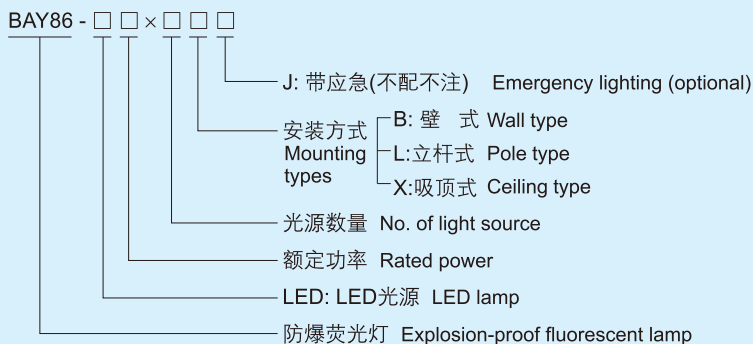


2

应用场所 Application

- ◆ 广泛应用于海洋工程各类作业平台、各类化学品、天然气运输船、危险品码头等危险区域作工作及场景照明之用；
- ◆ 可在潮湿、振动、腐蚀等恶劣环境中可靠工作；
- ◆ 适用于爆炸性危险环境1区、2区、20区、21区、22区等场所。
- ◆ Widely used for lighting on platforms, various types of chemical and natural gas carriers, terminals, dangerous goods docks, etc.;
- ◆ Can reliably work in severe environment where is easily affected by moisture, vibration, or corrosion;
- ◆ Explosive hazardous atmosphere zone 1, zone 2, zone 20, zone 21, zone 22.

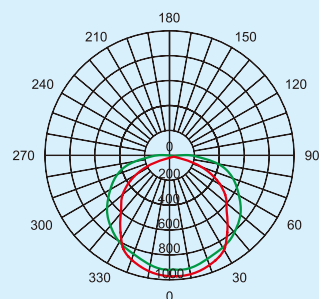
型号含义 Catalogue Number Logic



配光性能 Photometric data

光强单位: cd

- c 0 / 180
- c 90 / 270



Zones 1&2 ; 20&21&22

产品特性 Features



- ◆ 壳体采用海工专用铝合金材料，表面高压静电喷塑，透明罩采用聚碳酸酯，透光率90%
- ◆ Enclosure is of maritime special aluminum alloy, surface powder coated, Transparent cover made of polycarbonate, with light transmittance up to 90%



- ◆ 灯具内部设有接线腔，配有专用的接线端子，安装时可直接进线，方便快捷
- ◆ Internally designed with terminal cavity, provided with terminals, convenient for wiring



- ◆ 专利抽芯、导向结构设计，具有防震功能
- ◆ Core-pulling structure, with guidance, anti-shock



- ◆ 配置LED条形光源，单向发光，光线均匀柔和，光效高；寿命长，绿色环保
- ◆ Designed with LED strip-shaped light source, one-way light, even and soft, with high luminous efficiency; long life, environmental protection

选配表 Selection table

型号 Model	额定功率(W) Rated power	重量(kg) Weight	型号 Model	额定功率(W) Rated power	重量(kg) Weight
BAY86-LED20B	20	4.6	BAY86-LED20BJ	20	5.0
BAY86-LED20L	20	4.3	BAY86-LED20LJ	20	4.7
BAY86-LED20X	20	4.2	BAY86-LED20XJ	20	4.6
BAY86-LED40B	40	6.1	BAY86-LED40BJ	40	6.5
BAY86-LED40L	40	5.8	BAY86-LED40LJ	40	6.2
BAY86-LED40X	40	5.7	BAY86-LED40XJ	40	6.1
BAY86-18×2B	18×2	4.7	BAY86-18×2BJ	18×2	5.1
BAY86-18×2L	18×2	4.4	BAY86-18×2LJ	18×2	4.8
BAY86-18×2X	18×2	4.3	BAY86-18×2XJ	18×2	4.7
BAY86-36×2B	36×2	6.2	BAY86-36×2BJ	36×2	6.6
BAY86-36×2L	36×2	5.9	BAY86-36×2LJ	36×2	6.3
BAY86-36×2X	36×2	5.8	BAY86-36×2XJ	36×2	6.2

- ◆ 上述产品包含“安装附件和备件表”中对应的安装附件。
- ◆ 灯具出厂时配防爆堵头，若用户需要防爆电缆夹紧密接头，请参照P3/173~178页选型。
- ◆ The above products include the mounting accessories specified in the "mounting accessories and spare parts table"
- ◆ The light fitting is supplied with Ex plug, if Ex cable gland is needed, please select according page P3/173~178 .

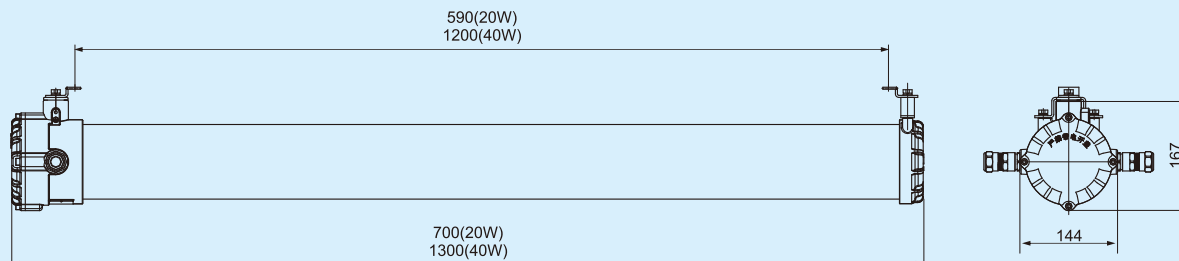
BAY86 系列隔爆型防爆荧光灯(dIIC)

BAY86 Series Flameproof Explosion-proof Fluorescent Lamps

技术参数 Technical parameters

◆ 防爆标志 Ex-Mark	Exd IIC T6 Gb / DIP A20 TA, T6								
◆ 执行标准 Compliance	IEC60079 EN60079 GB3836 GB12476 CCS入级规范 (CCS standard)								
◆ 额定电压 Rated voltage	220V / 230V AC 50Hz/60Hz								
◆ 温度范围 Temperature range	-25°C~+55°C								
◆ 额定功率 Rated power 光源类型 Light source 灯具功率 Power of lamp	<table border="1"> <thead> <tr> <th colspan="2">LED</th> <th colspan="2">T8</th> </tr> </thead> <tbody> <tr> <td>20W</td> <td>40W</td> <td>18W×2</td> <td>36W×2</td> </tr> </tbody> </table>	LED		T8		20W	40W	18W×2	36W×2
LED		T8							
20W	40W	18W×2	36W×2						
◆ 防护等级 Degree of protection	IP66								
◆ 防腐等级 Corrosion-proof	WF2								
◆ 进线规格 Cable entry	2 × M25 × 1.5								
◆ 接线端子 Terminal	3 × 1.5~2.5mm ²								
◆ 带应急功能参数 Data for lamp with emergency function 电池容量 Battery capacity 应急照明时间 Emergency lighting time 应急形式 Emergency mode	Ni-MH 7.2V/3Ah 90min(特殊要求请注明) 90min(any special requests please specify) 单管应急 single tube								

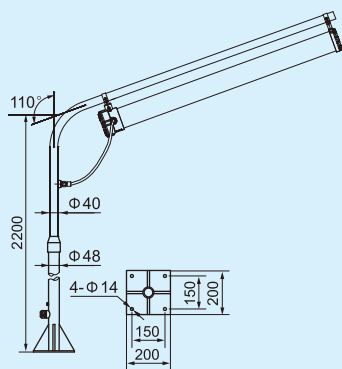
外形尺寸 Outline dimension



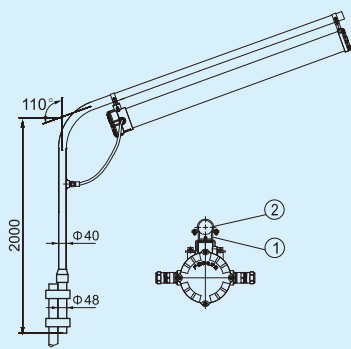
安装方案举例 (尺寸单位为mm) Mounting type (dimensions in mm)

用户可参考下列安装方式并根据现场情况进行安装 Installation reference

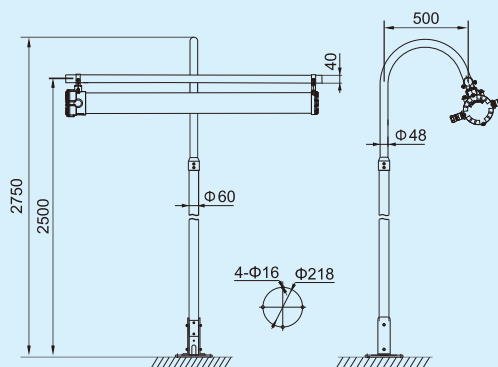
L: 立杆式 (立杆由用户配置) pole type (the pole is provided by user)



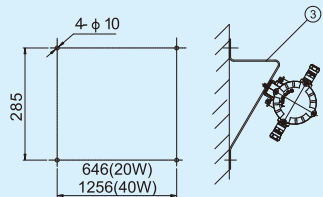
平台立杆安装
platform pole type



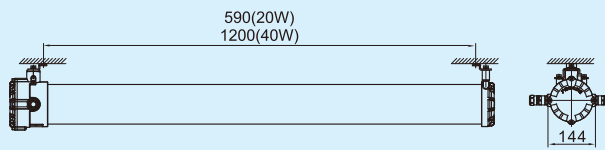
护栏立杆安装
fence pole type



折叠杆安装
folding pole type



B: 壁式 wall type



X: 吸顶式 ceiling type

安装附件和备件表 Mounting accessories and spare parts table

按照用户订货选择的安装方式, 供货将提供以下安装配件 Supplied according to the mounting type

安装方式 Mounting type	附件 Accessories			重量(kg) Weight
	名称 Name	数量 Qty	说明 Illustration	
L: 立杆式 pole type	①. 安装架 Mounting frame	2		0.04
	②. G1 1/4" 管夹 Pipe clamp	2		0.04
B: 壁式 wall type	③. 壁式支架 Wall bracket	2		0.25

注: 表中无配置的附件, 需用户自行配置。

Note: Accessories not in the table shall be supplied by user.

BAY51 系列隔爆型防爆荧光灯(dIIC)

BAY51 Series Flameproof Explosion-proof Fluorescent Lamps



2

应用场所 Application

- ◆ 广泛应用于海洋工程各类作业平台、各类化学品、天然气运输船、危险品码头等危险区域作工作及场景照明之用；
- ◆ 可在潮湿、振动、腐蚀等恶劣环境中可靠工作；
- ◆ 适用于爆炸性危险环境1区、2区、21区、22区等场所。
- ◆ Widely used for lighting on platforms, various types of chemical and natural gas carriers, terminals, dangerous goods docks, etc.;
- ◆ Can reliably work in severe environment where is easily affected by moisture, vibration, or corrosion;
- ◆ Explosive hazardous atmosphere zone 1, zone 2, zone 21, zone 22.

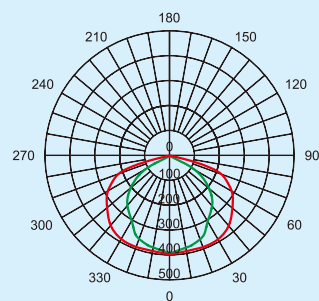
型号含义 Catalogue Number Logic



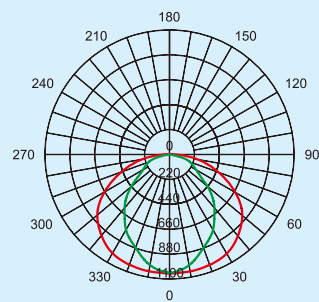
配光性能 Photometric data

光强单位: cd

- c 0 / 180
- c 90 / 270



18W×2



36W×2

Zones 1&2 ; 21&22

产品特性 Features



- ◆ 灯体采用海工专用铝合金压铸而成，表面高压静电喷塑透明罩为钢化玻璃
- ◆ Lamp body is of maritime special aluminum alloy, surface powder coated, transparent cover is of tempered glass



- ◆ 内装高性能镇流器，宽电压输入，启动快，性能稳定，功率因数 $\cos\phi \geq 0.95$
- ◆ Built-in high performance ballast, wide voltage input, fast start, stable performance, power factor $\cos\phi \geq 0.95$



- ◆ 专利抽芯、导向结构设计，可方便现场安装、检修
- ◆ Core-pulling structure, with guidance, anti-shock, convenient for on-site installation, maintenance



- ◆ 灯具具有“寿终整流效应保护(EOL)”功能
- ◆ Lamp is with the "end of life rectifying effect protection (EOL)" function

选配表 Selection table

型号 Model	额定功率(W) Rated power	重量(kg) Weight	型号 Model	额定功率(W) Rated power	重量(kg) Weight
BAY51-18×1L	18×1	6.5	BAY51-LED 9×1L	9×1	5.9
BAY51-18×1X	18×1	5.6	BAY51-LED 9×1X	9×1	5.5
BAY51-18×2L	18×2	11.6	BAY51-LED 9×2L	9×2	10.5
BAY51-18×2X	18×2	10.6	BAY51-LED 9×2X	9×2	9.8
BAY51-36×1L	36×1	11.6	BAY51-LED 18×1L	18×1	8.4
BAY51-36×1X	36×1	10.6	BAY51-LED 18×1X	18×1	8.3
BAY51-36×2L	36×2	16.9	BAY51-LED 18×2L	18×2	16.4
BAY51-36×2X	36×2	16.3	BAY51-LED 18×2X	18×2	15.7
BAY51-18×2LJ	18×2	14.6	BAY51-LED 9×2LJ	9×2	13.8
BAY51-18×2XJ	18×2	14.5	BAY51-LED 9×2XJ	9×2	13.7
BAY51-36×2LJ	36×2	20.3	BAY51-LED 18×2LJ	18×2	19.5
BAY51-36×2XJ	36×2	20.2	BAY51-LED 18×2XJ	18×2	19.4

- ◆ 上述产品包含“安装附件和备件表”中对应的安装附件。
- ◆ 灯具出厂时配防爆堵头，若用户需要防爆电缆夹紧密接头，请参照P3/173~178页选型。
- ◆ The above products include the mounting accessories specified in the "mounting accessories and spare parts table"
- ◆ The light fitting is supplied with Ex plug, if Ex cable gland is needed, please select according page P3/173~178.

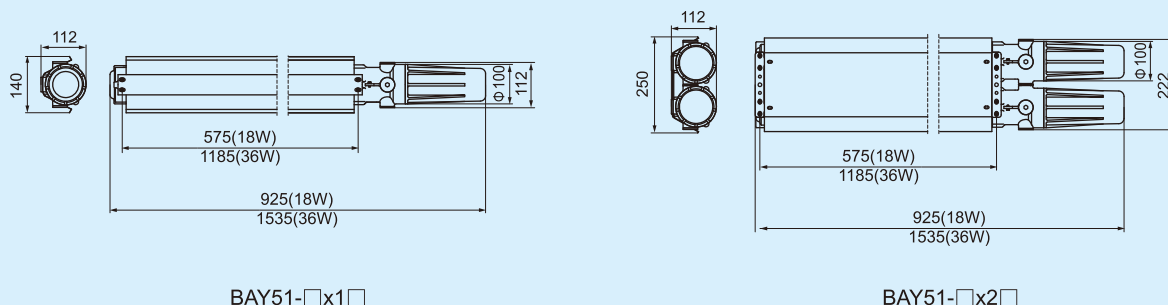
BAY51 系列隔爆型防爆荧光灯(dIIC)

BAY51 Series Flameproof Explosion-proof Fluorescent Lamps

技术参数 Technical parameters

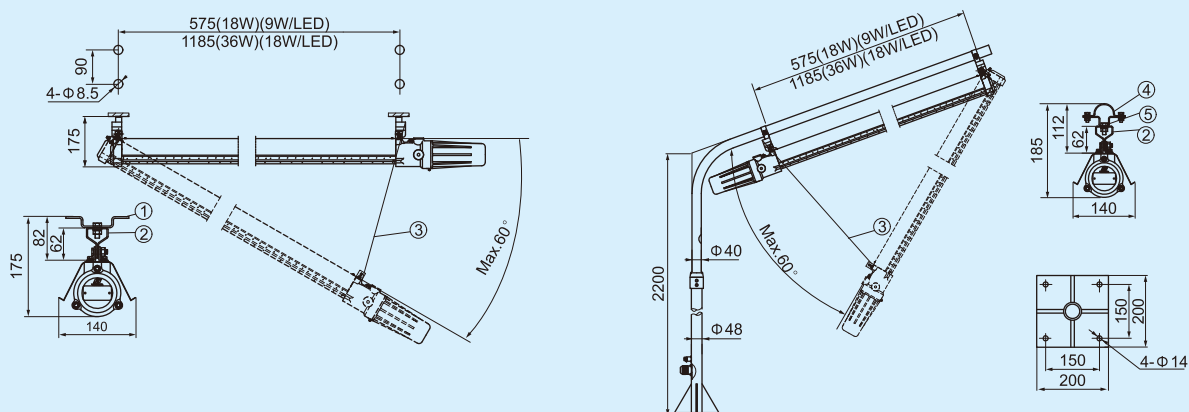
<ul style="list-style-type: none"> ◆ 防爆标志 Ex-Mark ◆ 执行标准 Compliance ◆ 产品证书 Certificate ◆ 额定电压 Rated voltage ◆ 温度范围 Temperature range ◆ 额定功率 Rated power 光源类型 Light source 灯具功率 Power of lamp ◆ 防护等级 Degree of protection ◆ 防腐等级 Corrosion-proof ◆ 进线规格 Cable entry ◆ 接线端子 Terminal ◆ 带应急功能参数 Data for lamp with emergency function 电池容量 Battery capacity 应急照明时间 Emergency lighting time 应急形式 Emergency mode 	<p> Ⓔ II 2 G Ex d IIC T6 Gb Ex d IIC T6 Gb Ⓔ II 2 D Ex tb IIIC T80°C Db IP66 Ex t IIIC T80°C Db IP66 </p> <p>IEC60079 EN60079 CCS入级规范 (CCS standard)</p> <p>LCIE 09 ATEX 3046; IECEX CQM 12.0042X POCC CN. Г Б 05.B03637</p> <p>100V~300V AC 50Hz/60Hz</p> <p>-60°C~+55°C</p> <table border="1" style="margin-left: auto; margin-right: auto;"> <thead> <tr> <th style="text-align: center;">LED</th> <th style="text-align: center;">T8</th> </tr> </thead> <tbody> <tr> <td style="text-align: center;">9W×1 18W×1</td> <td style="text-align: center;">36W×1 18W×1</td> </tr> <tr> <td style="text-align: center;">9W×2 18W×2</td> <td style="text-align: center;">36W×2 18W×2</td> </tr> </tbody> </table> <p>IP66 *IP67</p> <p>WF2</p> <p>2 × M25 × 1.5</p> <p>3 × 1.5~4mm²</p> <p>Ni-MH 7.2V/3Ah 90min(特殊要求请注明) 90min(any special requests please specify) 单管应急 single tube</p>	LED	T8	9W×1 18W×1	36W×1 18W×1	9W×2 18W×2	36W×2 18W×2
LED	T8						
9W×1 18W×1	36W×1 18W×1						
9W×2 18W×2	36W×2 18W×2						

外形尺寸 Outline dimension



安装方案举例 (尺寸单位为mm) Mounting type (dimensions in mm)

用户可参考下列安装方式并根据现场情况进行安装 Installation reference



X: 吸顶式 ceiling type

L: 立杆式 (立杆由用户配置)
pole type (pole supplied by user)

安装附件和备件表 Mounting accessories and spare parts table

按照用户订货选择的安装方式, 供货将提供以下安装附件 Supplied according to the mounting type

安装方式 Mounting type	附件 Accessories			重量(kg) Weight
	名称 Name	数量 Qty	说明 Illustration	
X: 吸顶式 ceiling type	①. 支架 Mounting bracket	2		0.07
	②. 连接头 Connector	2		0.04
	③. 钢丝绳 (带挂钩) Steel wire rope (with hook)	1		0.30~0.50
L: 立杆式 Pole type	④. G1 1/4" 管夹 Pipe clamp	2		0.04
	⑤. 支架 Mounting bracket	2		0.04
	②. 连接头 Connector	2		0.04
	③. 钢丝绳 (带挂钩) Steel wire rope (with hook)	1		0.30~0.50

注: 表中无配置的附件, 需用户自行配置。

Note: Accessories not in the table shall be supplied by user.

BnY81 系列防爆防腐荧光灯(nA)

BnY81 Series Explosion-proof Corrosion-proof Fluorescent Lamps

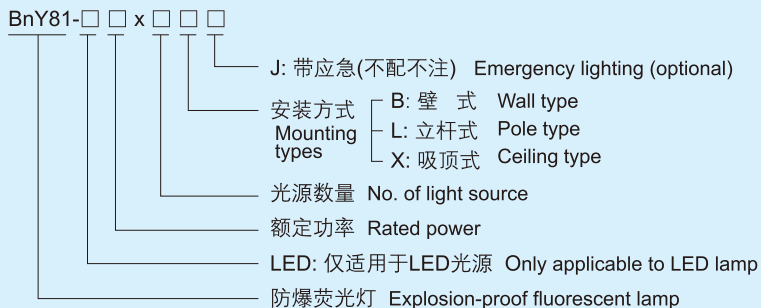


2

应用场所 Application

- ◆ 广泛应用于海洋工程各类作业平台、各类化学品、天然气运输船、危险品码头等危险区域作工作及场景照明之用；
- ◆ 可在潮湿、振动、腐蚀等恶劣环境中可靠工作；
- ◆ 适用于爆炸性危险环境2区、21区、22区等场所。
- ◆ Widely used for lighting on platforms, various types of chemical and natural gas carriers, terminals, dangerous goods docks, etc.;
- ◆ Can reliably work in severe environment where is easily affected by moisture, vibration, or corrosion;
- ◆ Explosive hazardous atmosphere zone 2, zone 21, zone 22.

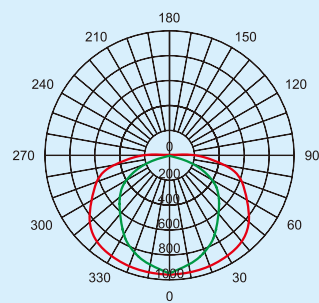
型号含义 Catalogue Number Logic



配光性能 Photometric data

光强单位: cd

- c 0 / 180
- c 90 / 270



36WX2

Zones 2 ; 21&22

产品特性 Features



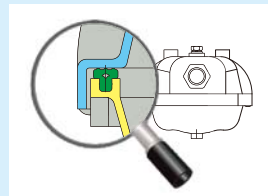
- ◆ 壳体采用聚碳合金材料注塑成型，透明罩材质为聚碳酸酯，透光率高，抗冲击、防强腐蚀
- ◆ Polycarbonate alloy enclosure is injection molded, polycarbonate transparent cover of high transmittance, impact resistance, with strong anti-corrosion capacity



- ◆ 荧光灯体和透明罩之间采用多点扣合方式，确保灯罩合上时受力均匀，密封可靠
- ◆ Joint between the fluorescent body and the transparent cover is fastened at several points to ensure uniform force when the lamp shade is closed, and reliable sealing



- ◆ 壳体带有设计精巧的呼吸装置，平衡内外压差，彻底消除凝露现象
- ◆ The enclosure is designed with compact breathing apparatus to balance internal and external pressure, and eliminate condensation



- ◆ 中空结构硅橡胶密封条，耐高温、耐老化，高防护
- ◆ Silicone rubber sealing strip of hollow structure, high temperature resistance, anti-aging, high protection

选配表 Selection table

型号 Model	额定功率(W) Rated power	重量(kg) Weight	型号 Model	额定功率(W) Rated power	重量(kg) Weight
BnY81-36 x 2B	36 x 2	6.1	BnY81-36 x 2BJ	36 x 2	7.2
BnY81-36 x 2L	36 x 2	5.8	BnY81-36 x 2LJ	36 x 2	6.9
BnY81-36 x 2X	36 x 2	6.0	BnY81-36 x 2XJ	36 x 2	7.1
BnY81-LED18 x 2B	18 x 2	15.7	BnY81-LED18 x 2BJ	18 x 2	19.4
BnY81-LED18 x 2L	18 x 2	16.4	BnY81-LED18 x 2LJ	18 x 2	19.5
BnY81-LED18 x 2X	18 x 2	15.7	BnY81-LED18 x 2XJ	18 x 2	19.4

- ◆ 上述产品包含“安装附件和备件表”中对应的安装附件。
- ◆ 灯具出厂时已配DQM-I M25×1.5防爆电缆夹紧密封接头(工程塑料)，如有特殊要求，请参照P3/169~172页选型。
- ◆ The above products include the mounting accessories specified in the "mounting accessories and spare parts table"
- ◆ The lamp is with DQM-I M25×1.5 explosion-proof cable gland (Engineering-plastics), and if there're any special requirements, please select according to page P3/169~172.

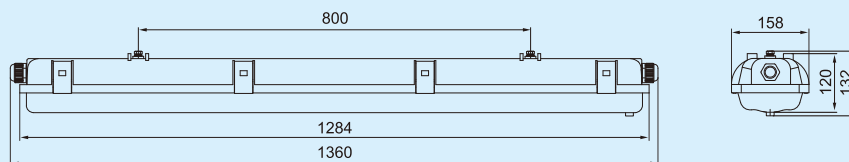
BnY81 系列防爆防腐荧光灯(nA)

BnY81 Series Explosion-proof Corrosion-proof Fluorescent Lamps

技术参数 Technical parameters

◆ 防爆标志 Ex-Mark	ExnA II T4 / DIP A21 TA, T6				
◆ 执行标准 Compliance	IEC60079 EN60079 GB3836 GB12476 CCS入级规范 (CCS standard)				
◆ 额定电压 Rated voltage	220V /230V AC 50Hz/60Hz				
◆ 温度范围 Temperature range	-25°C~+55°C				
◆ 额定功率 Rated power 光源类型 Light source 灯具功率 Power of lamp	<table border="1"> <thead> <tr> <th>LED</th> <th>T8</th> </tr> </thead> <tbody> <tr> <td>18W×2</td> <td>36W×2</td> </tr> </tbody> </table>	LED	T8	18W×2	36W×2
LED	T8				
18W×2	36W×2				
◆ 防护等级 Degree of protection	IP66 *IP67				
◆ 防腐等级 Corrosion-proof	WF2				
◆ 进线规格 Cable entry	2 × M25, 每端1个 (1 for each end)				
◆ 接线端子 Terminal	3 × 1.5~4mm ²				
◆ 带应急功能参数 Data for lamp with emergency function 电池容量 Battery capacity 应急照明时间 Emergency lighting time 应急形式 Emergency mode	Ni-MH 7.2V/3Ah(36W) 90min(特殊要求请注明) 90min(any special requests please specify) 单管应急 single tube				

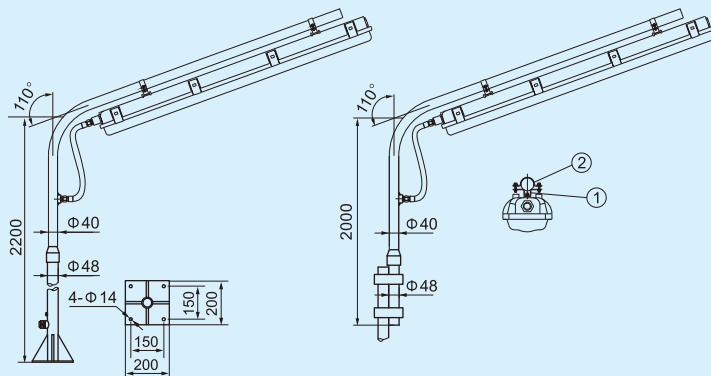
外形尺寸 Outline dimension



安装方案举例 (尺寸单位为mm) Mounting type (dimensions in mm)

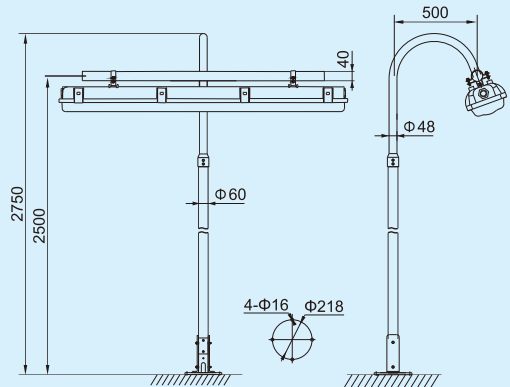
用户可参考下列安装方式并根据现场情况进行安装 Installation reference

L: 立杆式 (立杆由用户配置) pole type (the pole is provided by user)

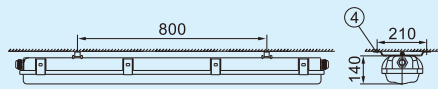


平台立杆安装
platform pole type

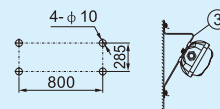
护栏立杆安装
fence pole type



折叠杆安装
folding pole type



X: 吸顶式 ceiling type



B: 壁式 wall type

安装附件和备件表 Mounting accessories and spare parts table

按照用户订货选择的安装方式, 供货将提供以下安装配件 Supplied according to the mounting type

安装方式 Mounting type	附件 Accessories			重量(kg) Weight
	名称 Name	数量 Qty	说明 Illustration	
L: 立杆式 pole type	①. 支架 Mounting bracket	2		0.04
	②. G1 1/4" 管夹 Pipe clamp	2		0.04
X: 吸顶式 ceiling type	④. 安装架 Mounting frame	2		0.20
B: 壁式 wall type	③. 壁式支架 Wall bracket	2		0.25

注: 表中无配置的附件, 需用户自行配置。

Note: Accessories not in the table shall be supplied by user.

BAY81-QT 系列井架专用防爆荧光灯(IIC)

BAY81-QT Series Explosion-proof Corrosion-proof Fluorescent Lamps For Derrick

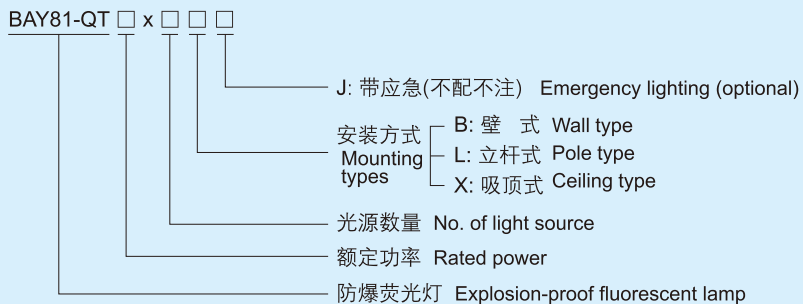


2

应用场所 Application

- ◆ 广泛应用于海洋工程各类作业平台、各类化学品、天然气运输船、危险品码头等危险区域作工作及场景照明之用；
- ◆ 可在潮湿、振动、腐蚀等恶劣环境中可靠工作；
- ◆ 适用于爆炸性危险环境1区和2区等场所。
- ◆ Widely used for lighting on platforms, various types of chemical and natural gas carriers, terminals, dangerous goods docks, etc.;
- ◆ Can reliably work in severe environment where is easily affected by moisture, vibration, or corrosion;
- ◆ Explosive hazardous atmosphere zone 1 and zone 2.

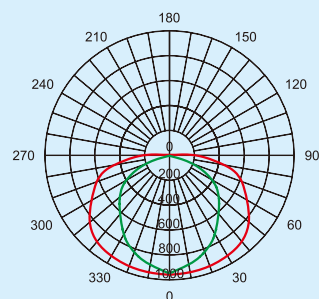
型号含义 Catalogue Number Logic



配光性能 Photometric data

光强单位: cd

- c 0 / 180
- c 90 / 270



Zones 1 & Zones 2

产品特性 Features



- ◆ 海工专用铝合金壳体，表面氧化处理，聚碳酸酯透明罩，透光率高，条棱设计，有效防眩光
- ◆ Enclosure is of maritime special aluminum alloy, oxidation treatment for the surface, polycarbonate transparent cover, of high transmittance, strip-shaped design, anti-glare



- ◆ 特制的金属外壳防爆电子镇流器， $\cos \phi \geq 0.95$ ，具有短路、开路、过载、灯管老化、灯管破损及不对称功率等保护功能
- ◆ Specially made electronic ballast of metal enclosure. $\cos \phi \geq 0.95$, with functions to prevent short circuit, open circuit and overload, aging, lamp tube damaging and asymmetric power



- ◆ 不锈钢锁扣可靠地锁紧，快速开启
- ◆ Stainless steel latch can reliably lock, fast to open.



- ◆ 专利设计的灯座，具有很好的防震功能
- ◆ Specially designed anti-shock lamp holder



- ◆ 灯具可带应急，具有过放电和过充电保护功能，每周执行5分钟功能自测，每三个月执行35分钟负载循环自测
- ◆ The lamp can be with emergency function, with over-discharge and over-charge protection function, 5min self-test every week, 35min load circulation test every 3 months

选配表 Selection table

型号 Model	额定功率(W) Rated power	重量(kg) Weight	型号 Model	额定功率(W) Rated power	重量(kg) Weight
BAY81-QT36 × 2B	36	7.5	BAY81-QT36 × 2BJ	36	9.3
BAY81-QT36 × 2L	36	7.3	BAY81-QT36 × 2LJ	36	9.1
BAY81-QT36 × 2X	36	7.1	BAY81-QT36 × 2XJ	36	8.9

- ◆ 上述产品包含“安装附件和备件表”中对应的安装附件。
- ◆ 灯具出厂时配防爆堵头，若用户需要防爆电缆夹紧密封接头，请参照P3/169~172页选型。
- ◆ The above products include the mounting accessories specified in the "mounting accessories and spare parts table"
- ◆ The light fitting is supplied with Ex plug, if Ex cable gland is needed, please select according page P3/169~172.

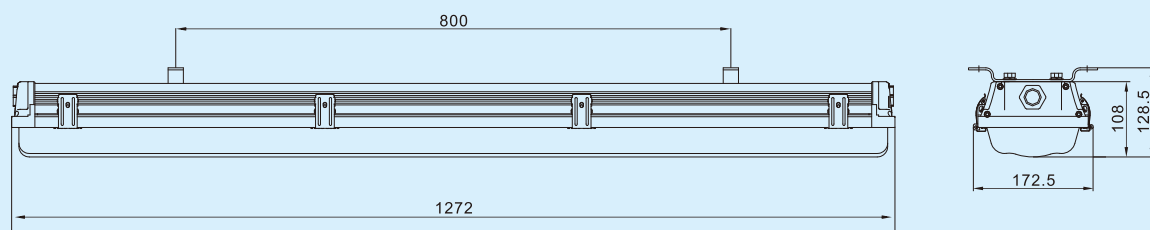
BAY81-QT 系列井架专用防爆荧光灯(IIC)

BAY81-QT Series Explosion-proof Corrosion-proof Fluorescent Lamps For Derrick

技术参数 Technical parameters

◆ 防爆标志 Ex-Mark	Exdeq II CT4 Gb
◆ 执行标准 Compliance	IEC60079 EN60079 GB3836 CCS入级规范 (CCS standard)
◆ 额定电压 Rated voltage	220V /230V AC 50Hz/60Hz
◆ 温度范围 Temperature range	-25°C~+55°C
◆ 额定功率 Rated power 光源类型 Light source 灯具功率 Power of lamp	T8 36W×2
◆ 防护等级 Degree of protection	IP66
◆ 防腐等级 Corrosion-proof	WF2
◆ 进线规格 Cable entry	2 × M25 × 1.5
◆ 接线端子 Terminal	3 × 1.5~4mm ²
◆ 带应急功能参数 Data for lamp with emergency function 电池容量 Battery capacity 应急照明时间 Emergency lighting time 应急形式 Emergency mode	Ni-MH 7.2V/3Ah(36W) 90min(特殊要求请注明) 90min(any special requests please specify) 单管应急 single tube

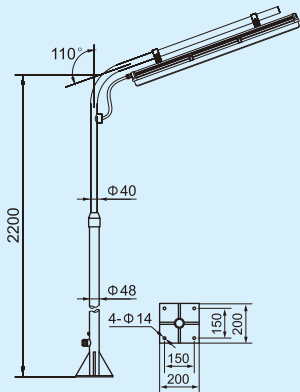
外形尺寸 Outline dimension



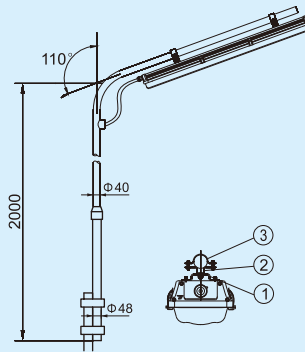
安装方案举例 (尺寸单位为mm) Mounting type (dimensions in mm)

用户可参考下列安装方式并根据现场情况进行安装 Installation reference

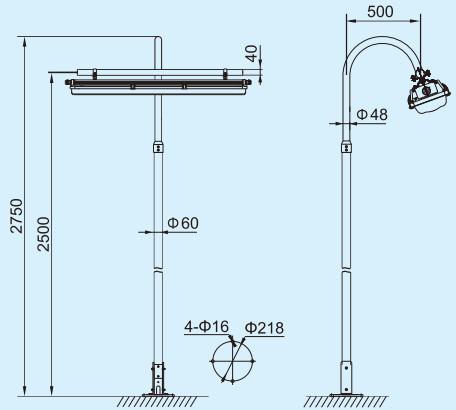
L: 立杆式 (立杆由用户配置) pole type (the pole is provided by user)



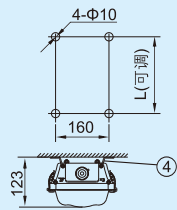
平台立杆安装
platform pole type



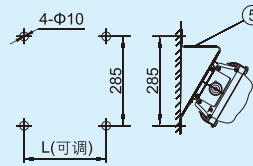
护栏立杆安装
fence pole type



折叠杆安装
folding pole type



X: 吸顶式 ceiling type



B: 壁式 wall type

安装附件和备件表 Mounting accessories and spare parts table

按照用户订货选择的安装方式, 供货将提供以下安装配件 Supplied according to the mounting type

安装方式 Mounting type	附件 Accessories			重量(kg) Weight
	名称 Name	数量 Qty	说明 Illustration	
L: 立杆式 pole type	①. 支架 Mounting bracket	2		0.07
	②. 安装架 Mounting bracket	2		0.04
	③. G1 1/4" 管夹 Pipe clamp	2		0.04
X: 吸顶式 ceiling type	⑤. 安装架 Mounting frame	2		0.06
B: 壁式 wall type	④. 壁式支架 Wall bracket	2		0.25

注: 表中无配置的附件, 需用户自行配置。

Note: Accessories not in the table shall be supplied by user.

BAY-H 系列防爆环形荧光灯 (dIIC)

BAY-H Series Explosion-proof Annular Fluorescent Lamps



2

应用场所 Application

- ◆ 广泛应用于海洋工程各类作业平台、各类化学品、天然气运输船、危险品码头等危险区域作工作及场景照明之用；
- ◆ 可在潮湿、振动、腐蚀等恶劣环境中可靠工作；
- ◆ 适用于爆炸性危险环境1区、2区、21区、22区等场所。
- ◆ Widely used for lighting on platforms, various types of chemical and natural gas carriers, terminals, dangerous goods docks, etc.
- ◆ Can reliably work in severe environment where is easily affected by moisture, vibration, or corrosion;
- ◆ Explosive hazardous atmosphere zone 1, zone 2, zone 21, zone 22.

型号含义 Catalogue Number Logic

BAY-H □ × □

光源数量 No. of light source

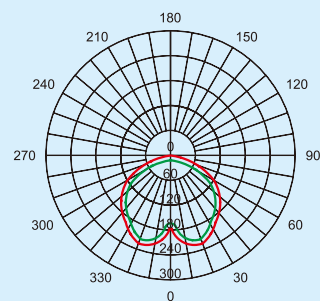
额定功率 Rated power

防爆环形荧光灯 Explosion-proof annular fluorescent lamp

配光性能 Photometric data

光强单位: cd

— c 0 / 180
— c 90 / 270



21W x 2

Zones 1&2 ; 21&22

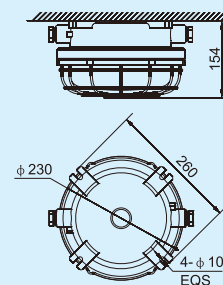
技术参数 Technical parameters

◆ 防爆标志 Ex-Mark	<p>⊕ II 2 G Ex d IIB T5 Gb</p> <p>⊕ II 2 D Ex tb IIIC T95°C Db IP65</p>
◆ 执行标准 Compliance	IEC60079 EN60079 CCS入级规范 (CCS standard)
◆ 产品证书 Certificate	CNEx12.0848; LCIE 07 ATEX 6087; IECEx CQM 08.0003
◆ 产品外壳 Enclosure	<p>灯体采用海工专用铝合金压铸成型，表面高压静电喷塑 钢化玻璃透明罩，抗4J冲击</p> <p>Lamp body is of maritime special aluminum alloy, powder coated surface Transparent cover is of toughened glass, stands 4J impact</p>
◆ 控制电器 Control device	<p>电子镇流器，功率因数$\cos\phi \geq 0.95$</p> <p>Electronic ballast, power factor $\cos\phi \geq 0.95$</p>
◆ 额定电压 Rated voltage	220V~240V AC 50Hz/60Hz
◆ 温度范围 Temperature range	-25°C~+55°C
◆ 额定功率 Rated power	T5高效节能型超静灯管 T5 energy-saving supper quiet lamp tube
光源类型 Light source	21W×1 21W×2
灯具功率 Power of lamp	
◆ 防护等级 Degree of protection	IP65 *IP66
◆ 防腐等级 Corrosion-proof	WF2
◆ 进线规格 Cable entry	2×M25×1.5
◆ 接线端子 Terminal	3×1.5~2.5mm ²

选配表及外形尺寸 Selection table and outline dimension

型号 Model	额定功率(W) Rated power	重量(kg) Weight
BAY-H21×1	21×1	5.0
BAY-H21×2	21×2	5.6

- ◆ 灯具出厂时配防爆堵头，若用户需要防爆电缆夹紧密接头，请参考P3/173~178页选型。
- ◆ The light fitting is supplied with Ex plug, if Ex cable gland is needed, please select according page P3/173~178.



吸顶式(x) ceiling type

海工防爆灯具篇

Maritime explosion-proof light fittings

海工防爆投光、泛光灯系列

- ◆ 本章节主要介绍了适用于海洋各类作业平台、各类化学品、天然气运输船、危险品码头等危险区域照明之用的投光、泛光灯系列产品，该系列产品可在潮湿、振动、腐蚀等恶劣环境中可靠工作。



Maritime explosion-proof spotlight, floodlight

This chapter introduces spotlights and floodlights applicable to platforms, various types of chemical and natural gas carriers, terminals, dangerous goods docks, etc. the products can work reliably in harsh environment where is easily affected by moisture, vibration, corrosion, etc.



BAT51

2/055

系列防爆投光灯(IIC)
Series Explosion-proof Spotlight



BAT53

2/057

系列防爆泛光灯(IIC)
Series Explosion-proof Floodlight



BAT85

2/061

系列防爆泛光灯(Ex d IIC)
Series Explosion-proof Floodlight



BnT81

2/063

系列防爆泛光灯(nR)
Series Explosion-proof Floodlight



BAT81

2/065

系列防爆泛光灯(不锈钢)
Series Explosion-proof Floodlight



BAT86

2/067

系列防爆LED泛光灯(IIC)
Series Explosion-proof Floodlight

BAT51 系列防爆投光灯(IIC)

BAT51 Series Explosion-proof Spotlight

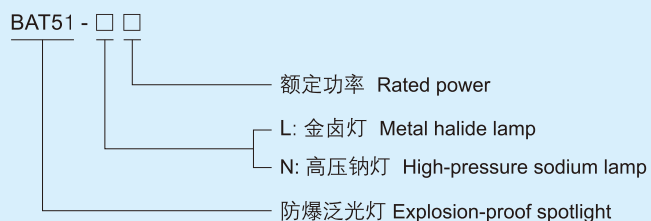


2

应用场所 Application

- ◆ 广泛应用于海洋工程各类作业平台、各类化学品、天然气运输船、危险品码头等危险区域作远距离投光照明之用；
- ◆ 可在潮湿、振动、腐蚀等恶劣环境中可靠工作；
- ◆ 适用于爆炸性危险环境1区、2区等场所。
- ◆ Widely used for floodlighting on platforms, various types of chemical and natural gas carriers, terminals, dangerous goods docks, etc.;
- ◆ Can reliably work in severe environment where is easily affected by moisture, vibration, or corrosion;
- ◆ Explosive hazardous atmosphere zone 1, zone 2.

型号含义 Catalogue Number Logic



产品特性 Features

- ◆ 海工专用铝合金压铸壳体，表面高压静电喷塑；
- ◆ 钢化玻璃透明罩；
- ◆ 不锈钢外露紧固件；
- ◆ 分体式结构，需另配防爆镇流器；
- ◆ 灯体水平旋转360°，仰角+90°~-60°内可调；
- ◆ 高功率因数 $\cos\Phi \geq 0.90$ 。
- ◆ Maritime special aluminium alloy cast enclosure; high powder coated surface;
- ◆ Toughened glass transparent cover;
- ◆ Stainless steel exposed fastener;
- ◆ Split structure; equipped with explosion-proof ballast;
- ◆ Can be 360° rotated horizontally, elevation angle can be adjusted within +90°~-60°;
- ◆ High power factor $\cos\Phi \geq 0.90$.

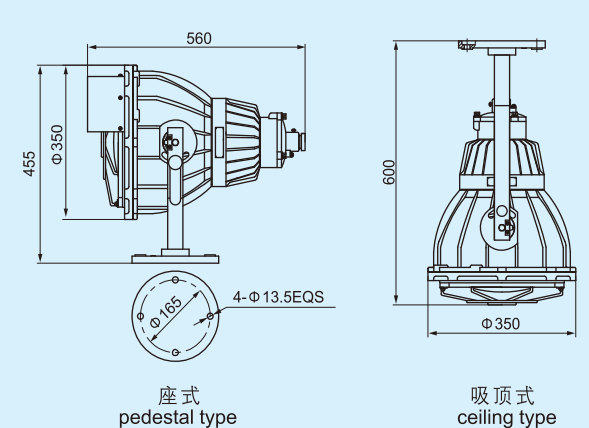
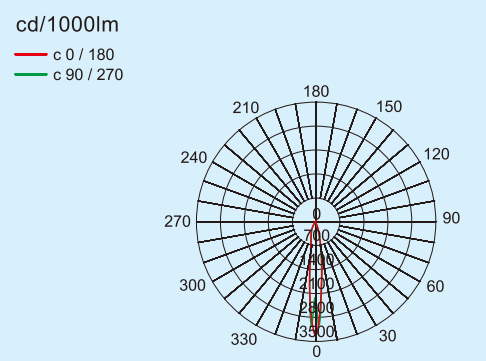
Zones 1&2

技术参数 Technical parameters

◆ 防爆标志 Ex-Mark	Exde II CT3 Gb
◆ 执行标准 Compliance	IEC60079 EN60079 Gb3836 CCS入级规范 (CCS standard)
◆ 额定电压 Rated voltage	220V /230V AC 50Hz(60Hz请注明 please note)
◆ 温度范围 Temperature range	-25℃~+55℃
◆ 额定功率 Rated power	
光源类型 Light source	金卤灯(L) Metal halide lamp 高压钠灯(N) High-pressure sodium lamp
灯具功率 Power of lamp	250W 400W 150W 250W 400W
◆ 灯座 Lamp holder	E40
◆ 防护等级 Degree of protection	IP65 *IP66
◆ 防腐等级 Corrosion-proof	WF2
◆ 进线规格 Cable entry	M25×1.5
◆ 接线端子 Terminal	3×1.5~2.5mm ²

配光性能 Photometric data

外形及安装尺寸 Outline dimension



选配表 Selection table

型号 Model	额定功率(W) Rated power	重量(kg) Weight	型号 Model	额定功率(W) Rated power	重量(kg) Weight
BAT51-L250	250	14.50	BAT51-N150	150	14.50
BAT51-L400	400	14.50	BAT51-N250	250	14.50
			BAT51-N400	400	14.50

- ◆ 如需其他安装方式，订货时请注明；
- ◆ 本灯具出厂时不配光源，由用户自配，建议配置飞利浦、欧司朗、亚明品牌；
- ◆ 灯具出厂时配防爆堵头，若用户需要防爆电缆夹紧密接头，请参照P3/173~178页选型。
- ◆ If other mounting types required, please specify when ordering
- ◆ The light source will be supplied by user, Philips, Osram, Yamin brand are recommended;
- ◆ The light fitting is supplied with Ex plug, if Ex cable gland is needed, please select according page P3/173~178.

BAT53 系列防爆泛光灯(IIC)

BAT53 Series Explosion-proof Floodlight

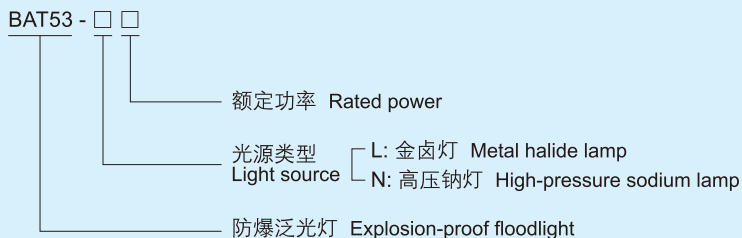


2

应用场所 Application

- ◆ 广泛应用于海洋工程各类作业平台、各类化学品、天然气运输船、危险品码头等危险区域作远距离泛光照明之用；
- ◆ 可在潮湿、振动、腐蚀等恶劣环境中可靠工作；
- ◆ 适用于爆炸性危险环境1区、2区、20区、21区、22区等场所。
- ◆ Widely used for floodlighting on platforms, various types of chemical and natural gas carriers, terminals, dangerous goods docks, etc.;
- ◆ Can reliably work in severe environment where is easily affected by moisture, vibration, or corrosion;
- ◆ Explosive hazardous atmosphere zone 1, zone 2, zone 20, zone 21, zone 22.

型号含义 Catalogue Number Logic



产品特性 Features

- ◆ 海工专用铝合金压铸壳体，表面高压静电喷塑；
- ◆ 抗高能量冲击的钢化玻璃；
- ◆ 不锈钢外露紧固件，硅橡胶材质密封；
- ◆ 桔纹漫反射板，反射效率高，光线均匀；
- ◆ 高性能电感镇流器， $\cos \phi \geq 0.90$ 。
- ◆ 灯座位置可以根据光源的光心位置进行调节
- ◆ Enclosure is of maritime special aluminum alloy, powder coated surface;
- ◆ Toughened glass, anti-impact;
- ◆ Stainless steel exposed fastener, sealing by silicon rubber;
- ◆ Orange-peel reflection board, of high reflection, with uniform light
- ◆ Inductive ballast of high performance, $\cos \phi \geq 0.90$
- ◆ Lamp holder position be adjusted based on the position of the light source optical center



光源腔侧壁设有维修盖，方便更换光源
Side wall of the light source cavity is with a maintenance cover, easy for replacement

Zones 1&2 ; 20&21&22

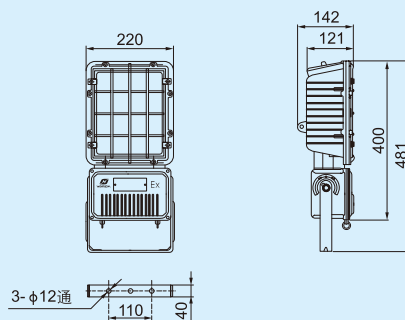
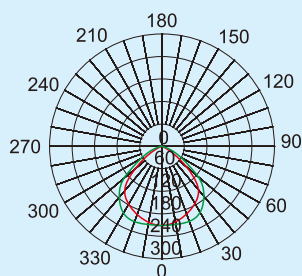
技术参数 Technical parameters

◆ 防爆标志 Ex-Mark	Exde IIC T4 Gb / DIP A20 TA, T4
◆ 执行标准 Compliance	IEC60079 EN60079 GB3836 GB12476 CCS入级规范 (CCS standard)
◆ 额定电压 Rated voltage	220V / 230V AC 50Hz(60Hz请注明 please note)
◆ 温度范围 Temperature range	-25°C~+55°C
◆ 额定功率 Rated power	
光源类型 Light source	金卤灯(L) Metal halide lamp 高压钠灯(N) High-pressure sodium lamp
灯具功率 Power of lamp	70W 100W 150W 70W 100W
◆ 灯座 Lamp holder	E27
◆ 防护等级 Degree of protection	IP66
◆ 防腐等级 Corrosion-proof	WF2
◆ 进线规格 Cable entry	2×M25×1.5
◆ 接线端子 Terminal	3×1.5~4mm ²

配光性能 Photometric data

外形尺寸 Outline dimension

cd/1000lm
— c 0 / 180
— c 90 / 270



选配表 Selection table

型号 Model	额定功率(W) Rated power	重量(kg) Weight	型号 Model	额定功率(W) Rated power	重量(kg) Weight
BAT53-L70	70	6.0	BAT53-N70	70	6.0
BAT53-L100	100	6.4	BAT53-N100	100	6.4
BAT53-L150	150	7.8			

- ◆ 如需其他安装方式, 订货时请注明;
- ◆ 本灯具出厂时不配光源, 由用户自配, 建议配置飞利浦、欧司朗、亚明品牌;
- ◆ 灯具出厂时配防爆堵头, 若用户需要防爆电缆夹紧密封接头, 请参照P3/169~172页选型。
- ◆ If other mounting types required, please specify when ordering
- ◆ The light source will be supplied by user, Philips, Osram, Yamin brand are recommended;
- ◆ The light fitting is supplied with Ex plug, if Ex cable gland is needed, please select according page P3/169~172.

BAT53 系列防爆泛光灯(IIC)

BAT53 Series Explosion-proof Floodlight

技术参数 Technical parameters

◆ 防爆标志 Ex-Mark	Exde IIC T4 Gb / DIP A20 TA, T4
◆ 执行标准 Compliance	IEC60079 EN60079 GB3836 GB12476 CCS入级规范 (CCS standard)
◆ 额定电压 Rated voltage	220V / 230V AC 50Hz(60Hz请注明 please note)
◆ 温度范围 Temperature range	-25°C~+55°C
◆ 额定功率 Rated power	
光源类型 Light source	金卤灯(L) Metal halide lamp
灯具功率 Power of lamp	250W
	高压钠灯(N) High-pressure sodium lamp
	150W 250W
◆ 灯座 Lamp holder	E40
◆ 防护等级 Degree of protection	IP66
◆ 防腐等级 Corrosion-proof	WF2
◆ 进线规格 Cable entry	2×M25×1.5
◆ 接线端子 Terminal	3×1.5~4mm ²

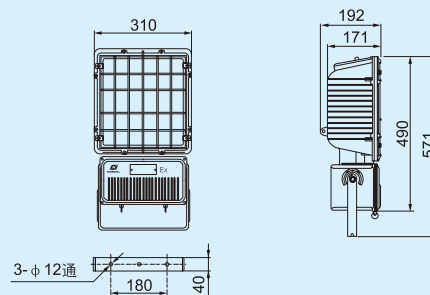
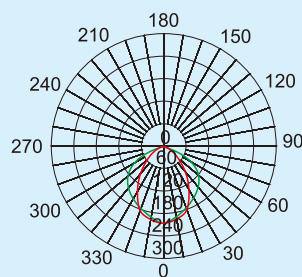
2

配光性能 Photometric data

外形尺寸 Outline dimension

cd/1000lm

— c 0 / 180
— c 90 / 270



选配表 Selection table

型号 Model	额定功率(W) Rated power	重量(kg) Weight	型号 Model	额定功率(W) Rated power	重量(kg) Weight
BAT53-L250	250	13.5	BAT53-N150	150	13.5
			BAT53-N250	250	14.7

- ◆ 如需其他安装方式，订货时请注明；
- ◆ 本灯具出厂时不配光源，由用户自配，建议配置飞利浦、欧司朗、亚明品牌，金卤灯250W需配置欧标光源；
- ◆ 灯具出厂时配防爆堵头，若用户需要防爆电缆夹紧密封接头，请参照P3/169~172页选型。
- ◆ If other mounting types required, please specify when ordering
- ◆ The light source will be supplied by user, Philips, Osram, Yamin brand are recommended, metal halide lamp 250W should be provided with light source compliance with European standard;
- ◆ The light fitting is supplied with Ex plug, if Ex cable gland is needed, please select according page P3/169~172.

技术参数 Technical parameters

◆ 防爆标志 Ex-Mark	Exde IIC T3 Gb / DIP A20 TA, T3
◆ 执行标准 Compliance	IEC60079 EN60079 GB3836 GB12476 CCS入级规范 (CCS standard)
◆ 额定电压 Rated voltage	220V / 230V AC 50Hz(60Hz请注明 please note)
◆ 温度范围 Temperature range	-25°C~+55°C
◆ 额定功率 Rated power	金卤灯(L) Metal halide lamp 高压钠灯(N) High-pressure sodium lamp 400W
光源类型 Light source	
灯具功率 Power of lamp	
◆ 灯座 Lamp holder	E40
◆ 防护等级 Degree of protection	IP66
◆ 防腐等级 Corrosion-proof	WF2
◆ 进线规格 Cable entry	2×M25×1.5
◆ 接线端子 Terminal	3×1.5~4mm ²

配光性能 Photometric data 外形尺寸 Outline dimension

cd/1000lm

— c 0 / 180
— c 90 / 270

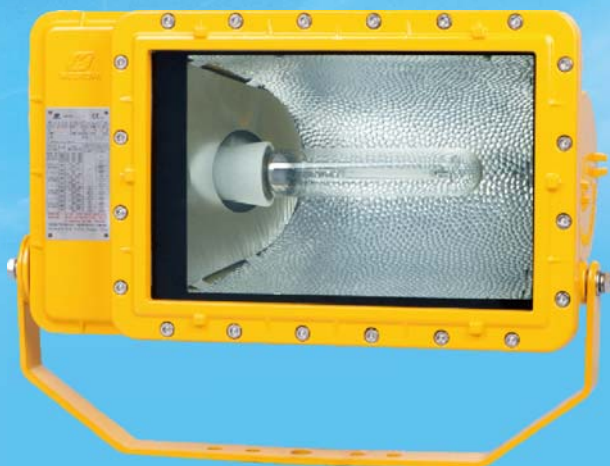
选配表 Selection table

型号 Model	额定功率(W) Rated power	重量(kg) Weight	型号 Model	额定功率(W) Rated power	重量(kg) Weight
BAT53-L400	400	21.5	BAT53-N400	400	22.1

- ◆ 如需其他安装方式，订货时请注明；
- ◆ 本灯具出厂时不配光源，由用户自配，建议配置飞利浦、欧司朗、亚明品牌，金卤灯400W需配置欧标光源；
- ◆ 灯具出厂时配防爆堵头，若用户需要防爆电缆夹紧密封接头，请参照P3/169~172页选型。
- ◆ If other mounting types required, please specify when ordering
- ◆ The light source will be supplied by user, Philips, Osram, Yamin brand are recommended, metal halide lamp 400W should be provided with light source compliance with European standard;
- ◆ The light fitting is supplied with Ex plug, if Ex cable gland is needed, please select according page P3/169~172.

BAT85 系列防爆泛光灯(Ex d IIC)

BAT85 Series Explosion-proof Floodlight

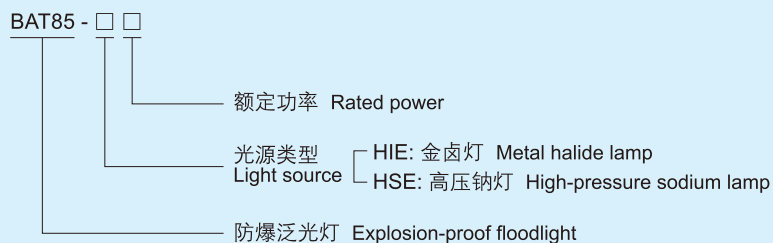


2

应用场所 Application

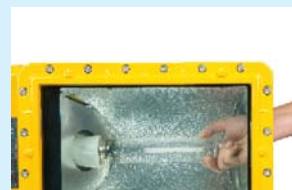
- ◆ 广泛应用于海洋工程各类作业平台、各类化学品、天然气运输船、危险品码头等危险区域作远距离泛光照明之用；
- ◆ 可在潮湿、振动、腐蚀等恶劣环境中可靠工作；
- ◆ 适用于爆炸性危险环境1区、2区、21区、22区等场所。
- ◆ Widely used for floodlighting on platforms, various types of chemical and natural gas carriers, terminals, dangerous goods docks, etc.;
- ◆ Can reliably work in severe environment where is easily affected by moisture, vibration, or corrosion;
- ◆ Explosive hazardous atmosphere zone 1, zone 2, zone 21, zone 22.

型号含义 Catalogue Number Logic



产品特性 Features

- ◆ 海工专用铝合金压铸壳体，表面高压静电喷塑；
- ◆ 抗高能量冲击的钢化玻璃；
- ◆ 不锈钢外露紧固件；
- ◆ 高防护的结构设计，配装耐老化的硅橡胶密封垫；
- ◆ 高性能电感镇流器， $\cos \phi \geq 0.90$ 。
- ◆ Enclosure is of maritime special aluminum alloy, powder coated surface;
- ◆ Toughened glass, anti-impact;
- ◆ Stainless steel exposed fastener;
- ◆ The structure is designed to be with high protection, supplied with silicon rubber sea ling gasket which is resistant to aging;
- ◆ Inductive ballast of high performance, $\cos \phi \geq 0.90$



侧面开盖，便于更换光源
Cover at side, convenient for lamp replacement

Zones 1&2 ; 21&22

技术参数 Technical parameters

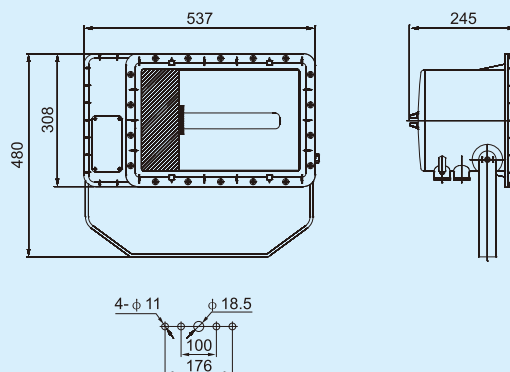
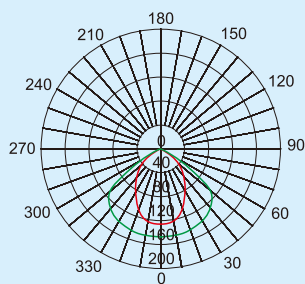
◆ 防爆标志 Ex-Mark	Ⅱ 2 G Ex d IIC T3 or 212°C Gb Ⅱ 2 D Ex tb IIIC T212°C Db IP65
◆ 执行标准 Compliance	IEC60079 EN60079 CCS入级规范 (CCS standard)
◆ 产品证书 Certificate	LCIE 10 ATEX 3083; IECEx CQM 11.0013
◆ 额定电压 Rated voltage	220V~240V AC 50Hz
◆ 温度范围 Temperature range	-25°C~+55°C
◆ 额定功率 Rated power	
光源类型 Light source	金卤灯(HIE) Metal halide lamp
灯具功率 Power of lamp	250W 400W
	高压钠灯(HSE) High-pressure sodium lamp
	150W 250W 400W
◆ 灯座 Lamp holder	E40
◆ 防护等级 Degree of protection	IP65 *IP66
◆ 防腐等级 Corrosion-proof	WF2
◆ 进线规格 Cable entry	2×M25×1.5
◆ 接线端子 Terminal	3×1.5~2.5mm ²

配光性能 Photometric data

外形尺寸 Outline dimension

cd/1000lm

— c 0 / 180
— c 90 / 270



选配表 Selection table

型号 Model	额定功率(W) Rated power	重量(kg) Weight	型号 Model	额定功率(W) Rated power	重量(kg) Weight
BAT86-HIE 250	250	23.0	BAT86-HSE 150	150	23.0
BAT86-HIE 400	400	24.4	BAT86-HSE 250	250	24.7
			BAT86-HSE 400	400	25.0

- ◆ 如需其他安装方式，订货时请注明；
- ◆ 本灯具出厂时不配光源，由用户自配，建议配置飞利浦、欧司朗、亚明品牌，金卤灯250W、400W需配置欧标光源；
- ◆ 灯具出厂时配防爆堵头，若用户需要防爆电缆夹紧密接头，请参照P3/173~178页选型。
- ◆ If other mounting types required, please specify when ordering
- ◆ The light source will be supplied by user, Philips, Osram, Yamin brand are recommended; metal halide lamp 250W & 400W should be provided with light source compliance with European standard;
- ◆ The light fitting is supplied with Ex plug, if Ex cable gland is needed, please select according page P3/173~178.